

BAYHAM

SERIES 2000 LIQUID LEVEL SWITCHES

Features:

Magnetically Coupled Operation
Side or Top Mounting Versions:
Types 2000 and 2010 for Side Mounting
Type 2020 for Top Mounting
Type 2030 for Sump Level Detection

Applications:

Oil / Water Storage Tanks
Diesel Oil Service Tank Level Control
Transformer Oil Level Detection
Level Detection in Sumps and Bunds

Function:

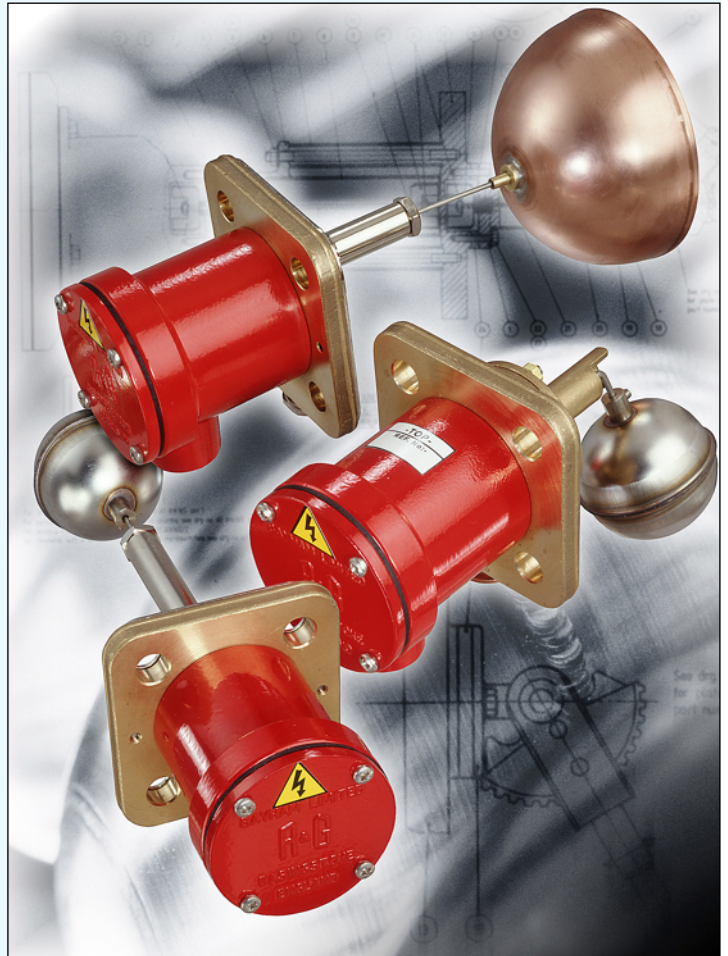
The Series 2000 range of level switches all incorporate a magnetic coupling between the float arm drive and the switch mechanism. As the level of fluid rises or falls the float arm actuates a micro switch, via the magnetic drive, to provide a level alarm or pump control signal. Cable connection is via a C.M.20 entry or an optional side mounted junction box. One micro switch is fitted as standard. A second micro switch can be fitted on request which operates at the same switching level.

The 2000 switch is designed for side mounting on static tanks and has a fixed switching differential of 38 mm.

The 2010 switch is also designed for side mounting but can have switching differentials of up to 400 mm. It is particularly suitable for mobile level alarm applications and pump on/off control in small tanks.

The 2020 is a top fitting switch, normally used for high level alarm and tank overflow alarm duties. 2030 type switches are similar to the 2020, except they are fitted with a hemispherical float for use in sump level detection applications.

All of the Series 2000 switches are available with a choice of flange drillings to suit most square flange tank pads. The Bayham standard B17 mild steel tank pad, as detailed overleaf, is available from stock.

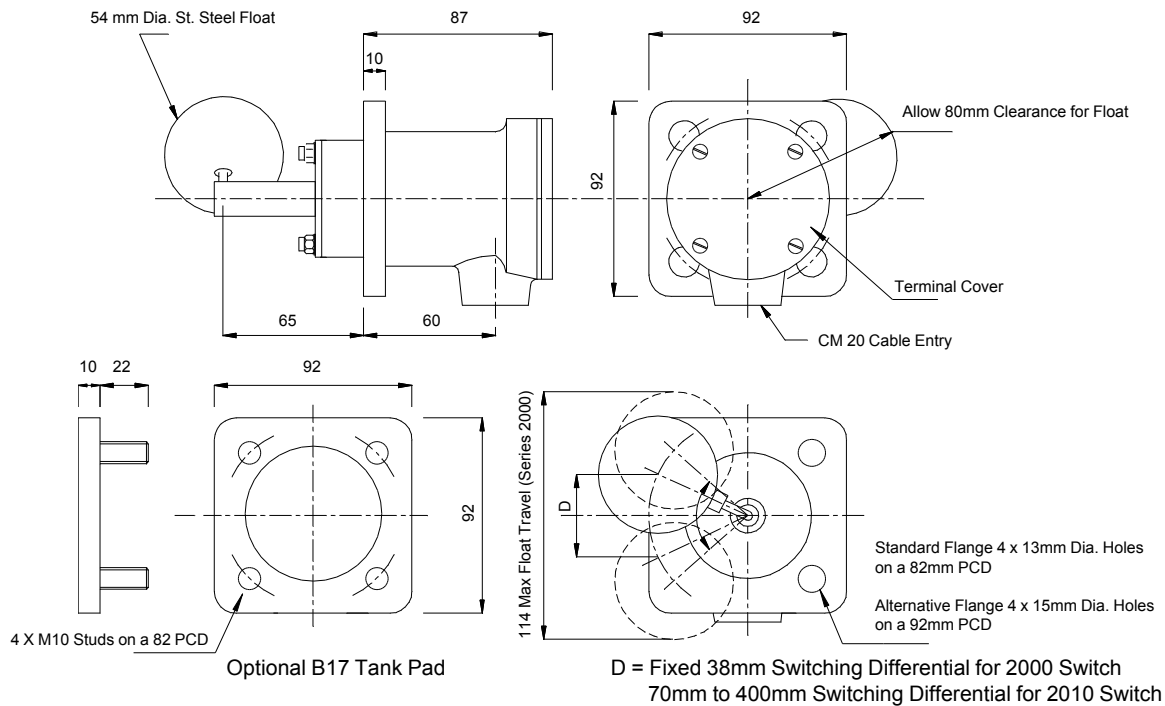


Technical Specifications

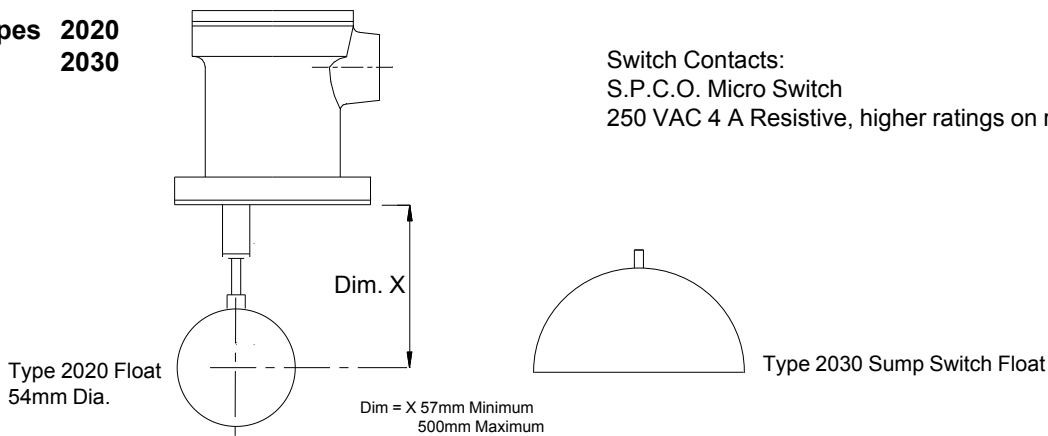
Switch body:	Polyester Coated Aluminium
Flange:	Brass or Stainless Steel
Float:	Stainless Steel or Copper
Pressure rating:	50 psig (3.5 bar) standard
Temperature rating:	80 °C standard, high temperature versions are available
Micro switch contact rating:	250 VAC 4 A Resistive, higher ratings on request
Micro switch type:	Single Pole Changeover.
Weather protection:	In accordance with IP56, IP67 version available.

SERIES 2000 LIQUID LEVEL SWITCHES

Types 2000
2010



Types 2020
2030



For applications requiring multi-switch points, please refer to our data sheets on Baydee and Minidee Gauge Switches.



BAYHAM LTD.

Bayham Ltd. Rutherford Road Basingstoke Hampshire UK RG24 8PG
Tel: +44 (0) 1256 464911 Fax: +44 (0) 1256 464366